

Coaxial connectors – shielded

L1752 / FP

L1752/J

2 pole shielded connectors

These polarized, two-pole shielded connectors are housed in silver-plated brass BNC shells and are available for standard Duradio 68 and DRM 68 cable. Fittings for other miniature, twin, shielded cables can be made available on request.



L1752/FP
Free plug

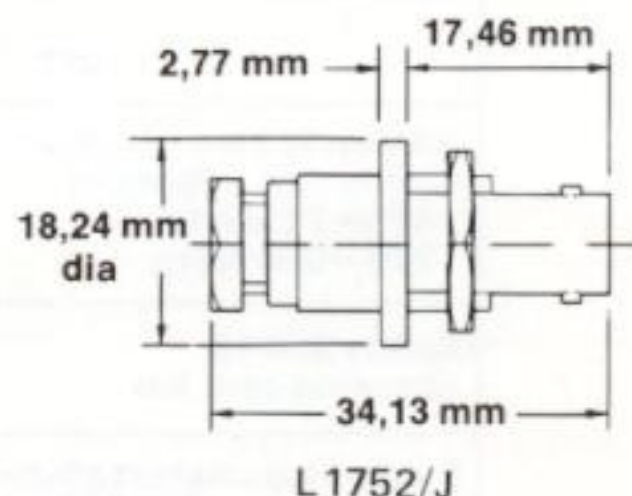
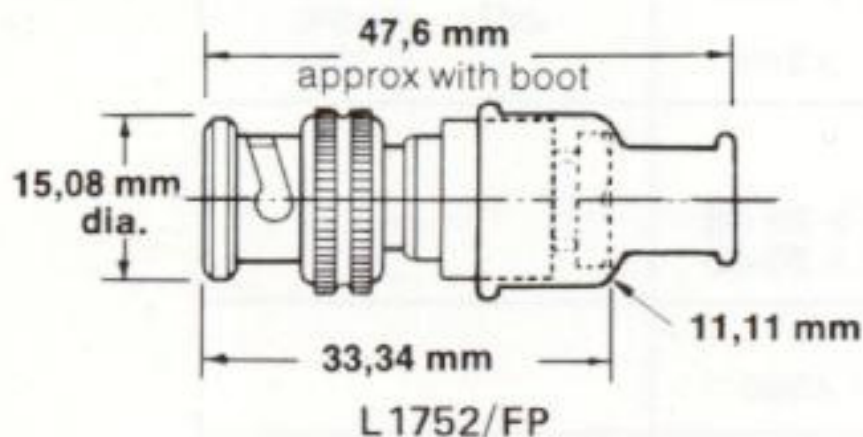


L1752/J
Panel jack

Current rating	2A per pole
Temperature rise, internal	10°C above ambient
Contact resistance	≤ 3 milliohms per pole
Screen continuity	≤ 2 milliohms
Voltage breakdown (d.c.)	> 3 kV between poles > 2 kV poles to screen
Insulation resistance	> 60 x 10 ³ megohms
Temperature range (ambient)	-55°C to +85°C
Humidity	21 days (BS: 2011)
Cable clamping torque	2,28 N m
Cable retention	200 N
Panel thickness	1,42 mm-3,78 mm
Materials:	
Body and contact pin	Brass
Socket	Beryllium — copper
Finish	Silver-plated
Insulant	Polypropylene

Ordering reference

L1752/FP L1752/J



Panel cut-out